

KIT PART NUMBER 6237372
KIT PART NUMBER 6237374

INSTRUCTIONS FOR INSTALLING A CHUTE SUPPORT AND VACUUM SYSTEM KIT

**CHECK THE PARTS RECEIVED IN THE KIT WITH THE PARTS LIST
IN THESE INSTRUCTIONS. IF ANY PARTS ARE MISSING,
CONTACT NATIONAL VENDORS' PARTS DEPARTMENT IMMEDIATELY.**

Read these instructions carefully before installing the kit.
Retain these instructions for part numbers and for future reference.

PART NUMBER	DESCRIPTION	QTY
1451097	Screw - #8-32 x .31, Hex Hd, T/F, BLK	2
6234252	Wiper - Chute Filter	1
6234253	Rivet - Aluminum - "Pop" - 0.156DIA.	2
6234265	Drill Template - Chute Filter Wiper	1
6234504	Drill Template - Chute Locator Mounting	1
6234979	Locator and Bracket Assembly - Dual Brewer (Used with dual brewer only)	1
6237352	Locator and Bracket Assembly - Single Brewer (Used with single brewer only)	1
6237353	Filter - Exhaust Chute	1
6237354	Hose Assembly - Exhaust - Coffee Chute	1
6237373	Instructions - Installation	1
6234971	Brace - Brewer Mounting Panel - Dual Brewer (Used with dual brewer only)	1

CAUTION

To prevent personnel injury, disconnect power from the merchandiser while performing these procedures.

INSTALLATION INSTRUCTIONS FOR KIT

Refer to Figure 1.

1. Remove the coffee delivery chutes.
2. Remove the brewer from the merchandiser.
3. Take the brewer mounting panel out of the merchandiser. On dual brewer equipped merchandisers, remove the brewer mounting panel brace from the machine and replace it with brewer mounting panel brace (6234971) from the kit. Install the brace with the cutout facing up.
4. Cut the chute filter wiper drill template (6234265) from the sheet it is printed on and cut the template where indicated.

Refer to Figure 2.

5. Slide the template over the brewer basket and the boss on the basket housing in the brewer. Tape the template to the basket housing. On dual brewer machines, the template should go over the rearmost brewer basket and boss.

6. Centerpunch the two 0.161DIA. holes, remove the template and drill the holes.

Refer to Figure 3.

7. Mount the chute filter wiper (6234252) on the basket housing at the two holes you drilled. The vertical side of the wiper should be next to the outside edge of the basket housing. Secure in place with two "pop" rivets (6234253).

Refer to Figure 4.

8. Remove the lefthand brewer mounting bracket. Place chute locator drill template (6234504) on the brewer mounting panel so the holes in the template align with the holes in the mounting panel. Tape the template in place.

9. Centerpunch the two 0.140DIA. mounting holes indicated on the template. Remove the template and drill the holes. Reinstall the lefthand brewer mounting bracket.

Refer to Figure 5.

10. Mount the locator and bracket assembly (6237352 for single brewer, 6234979 for dual brewer) on the brewer mounting panel using the two screws (1451097) from the kit. Do not tighten the screws completely at this time.

11. Install one end of the exhaust hose assembly (6237354) in the locator and bracket assembly.

Refer to Figure 6.

12. Put the brewer mounting panel in the machine.

13. Route the exhaust hose over the canister support channel brace. Remove the vinyl cap from the lower nozzle of the exhaust blower housing and insert the exhaust hose fitting into the nozzle.

Refer to Figure 1.

14. Attach the brewer to the brewer mounting panel.

15. The coffee delivery chutes must fit into the rectangular hole in the front of the locator and bracket assembly. Secure them to the support channel then restore power to the machine.

16. Select the brewer TEST mode and place the brewer in the HOME position. Remove power from the machine.

Refer to Figure 7.

17. To align the locator and bracket assembly, measure from the right side ID of the brewer basket to the left 5/16IN. to 3/8IN. Move the locator and bracket assembly to the left until the righthand coffee delivery chute is at this measured position. Tighten the locator and bracket assembly retaining screws.

18. Restore power to the machine and operate the brewer through several cycles to ensure correct alignment and operation of the kit parts.

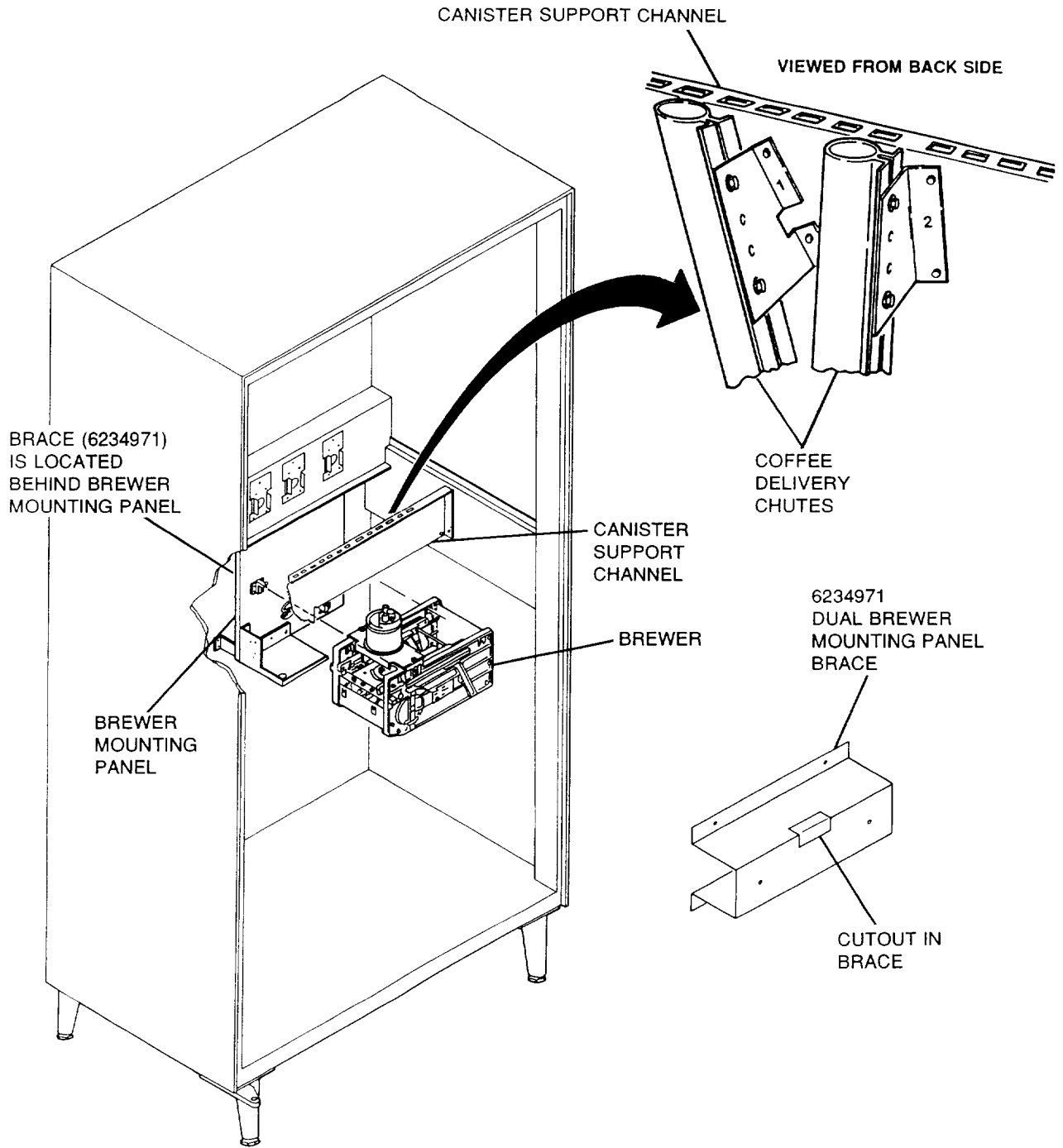


Figure 1.

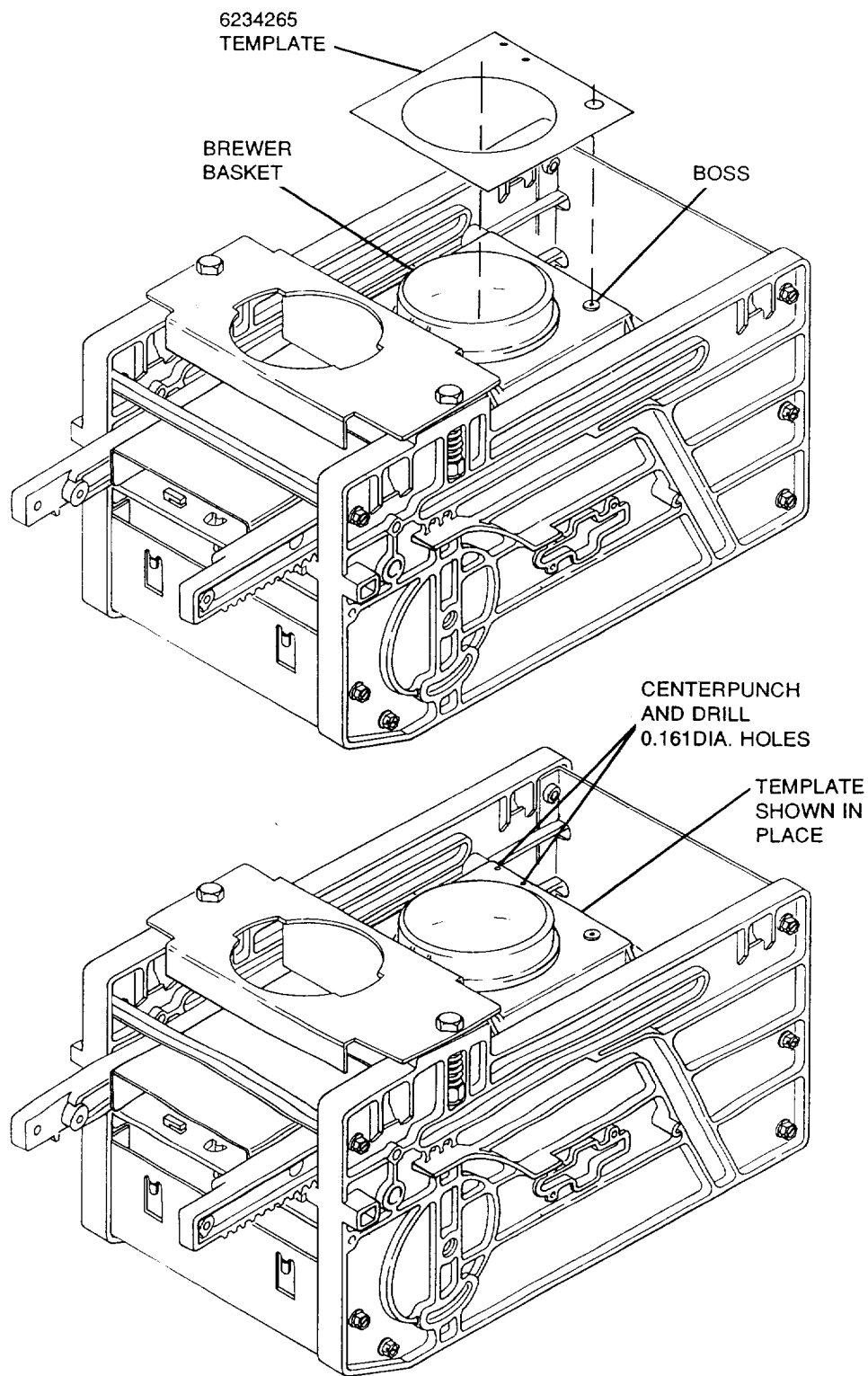


Figure 2.

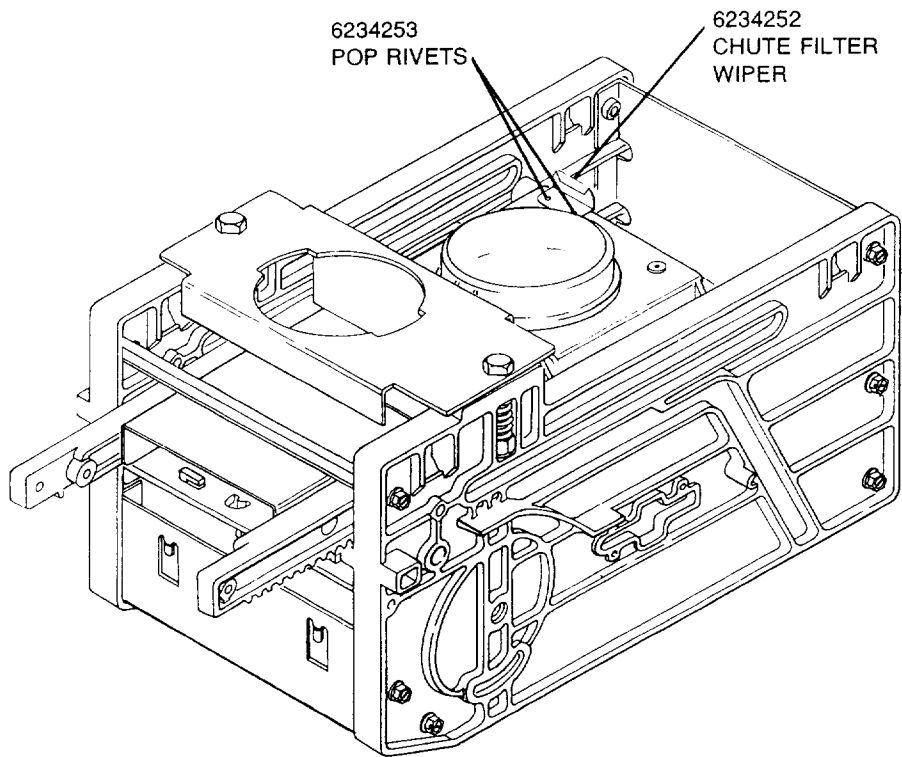


Figure 3.

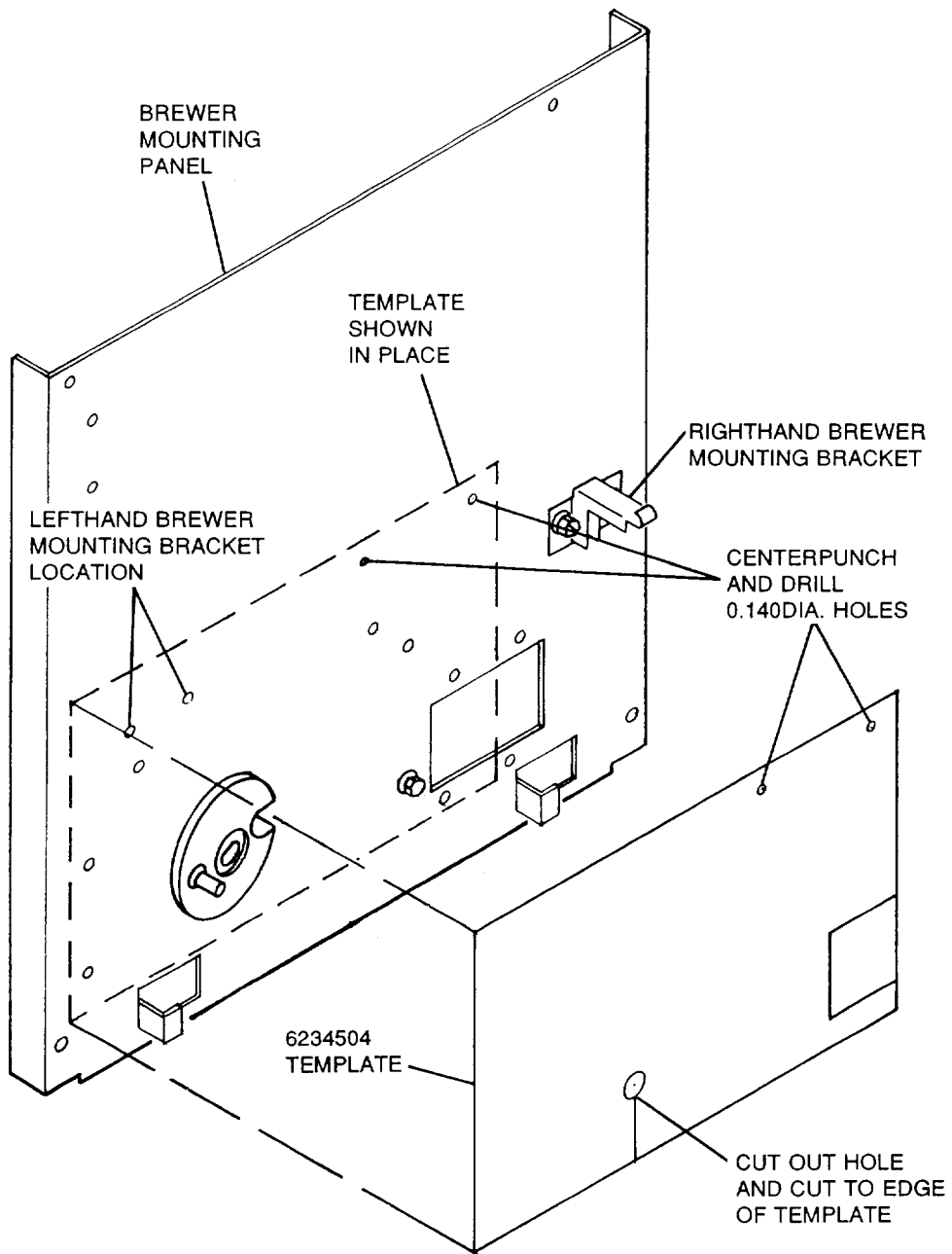


Figure 4.

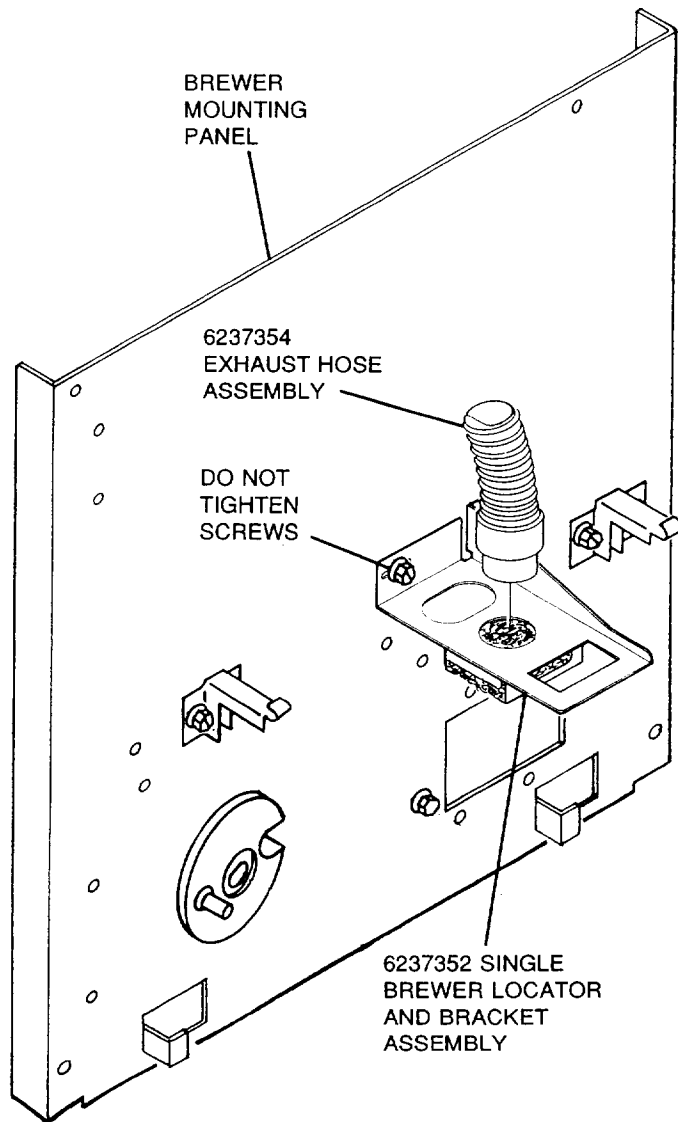


Figure 5.

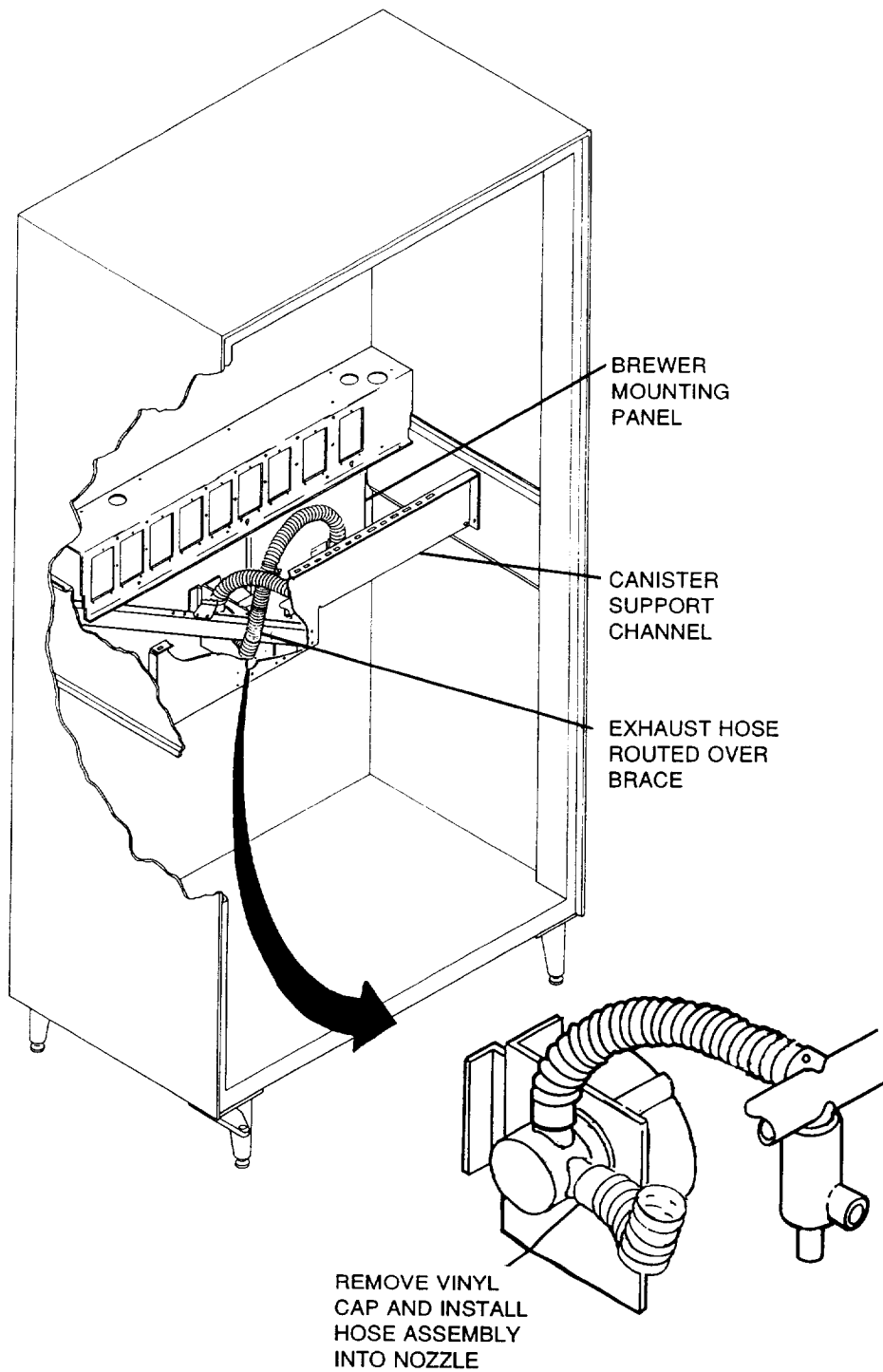


Figure 6.

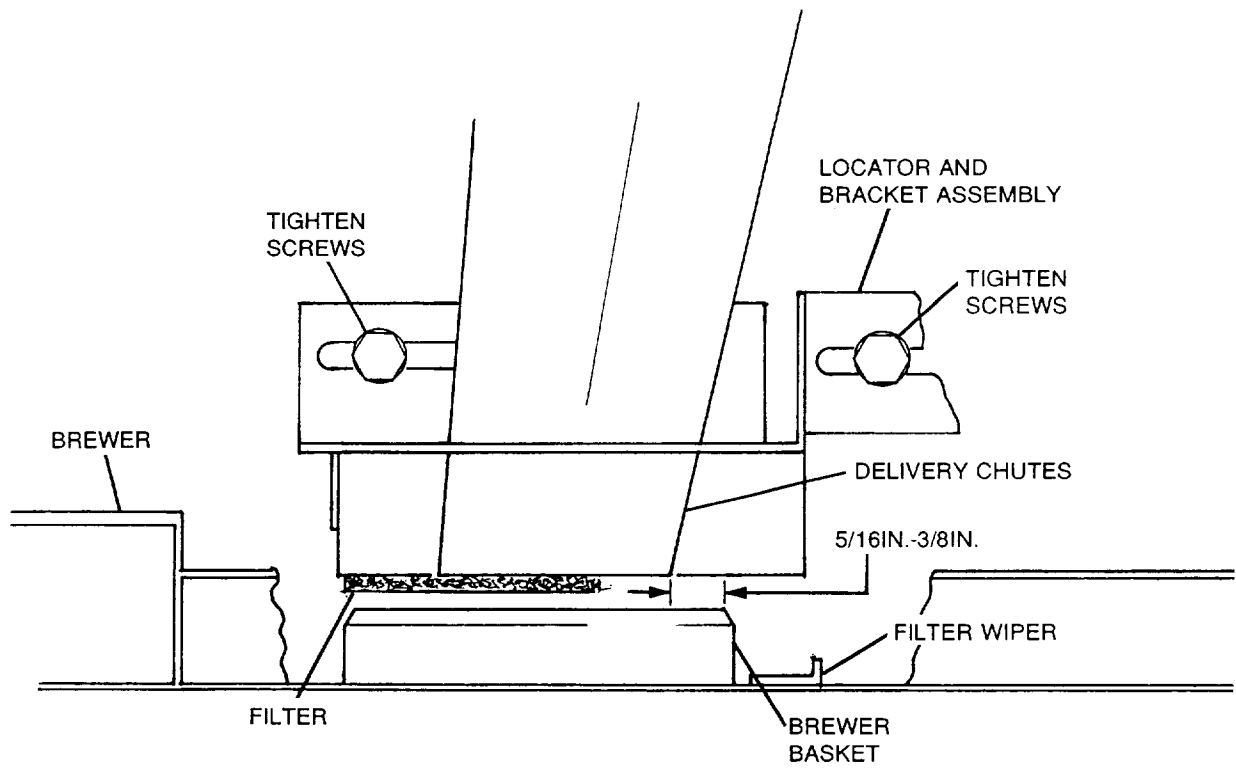


Figure 7.